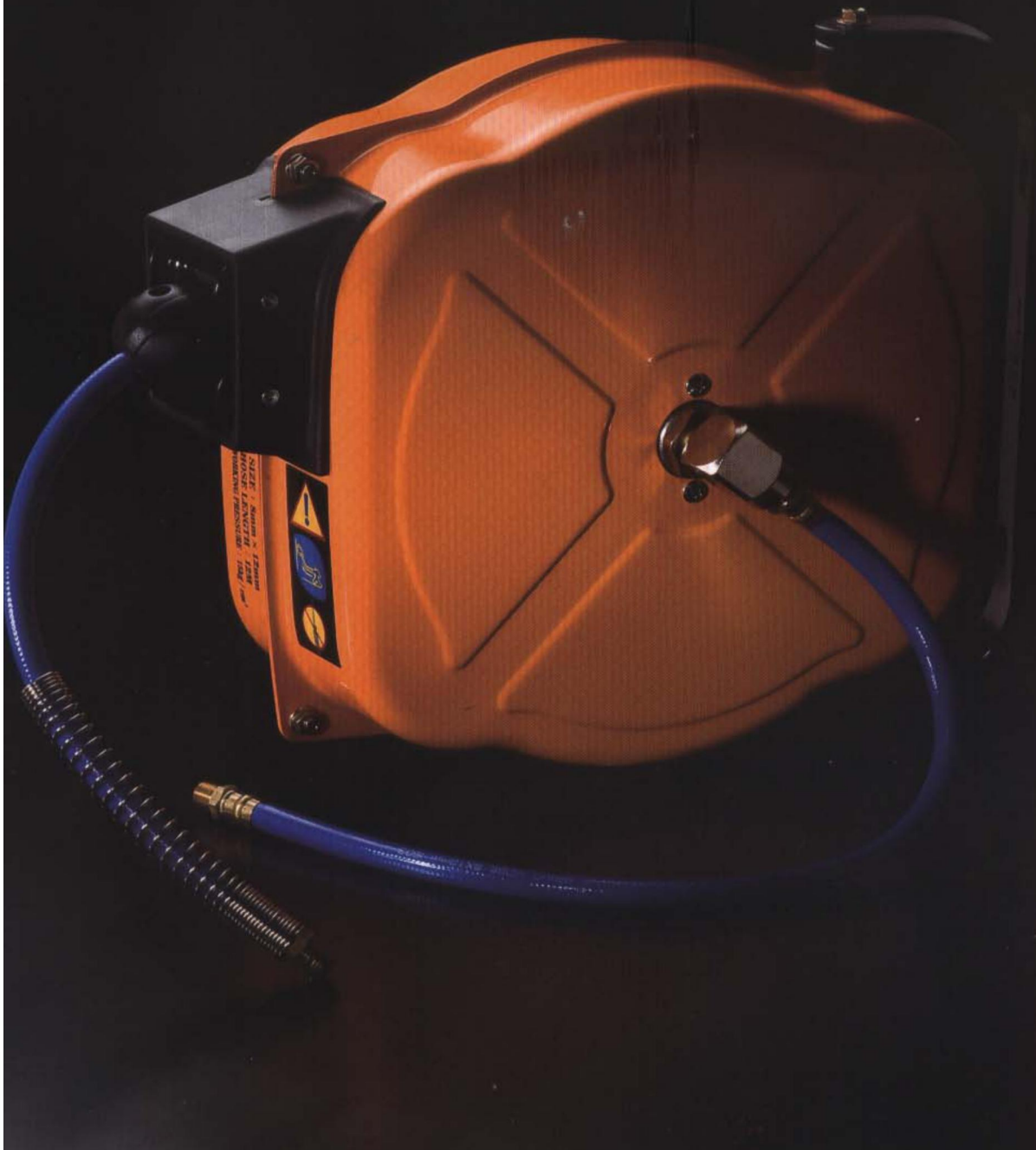


# #1

## HR04 Series

# Spring Driven Hose Reel

Close Type - Metal Case



## HR04 SERIES

### Spring Driven Hose Reel >> Close Type >> Metal Case

#### FEATURES

- Heavy duty reinforced steel construction with powder paint coating
- Automatic hose reel. Ratchet or free-running operation
- Spring protector protects hose against damage when pulled and/or stretched
- Supplied with wall/ceiling mounted bracket
- Working temperature: -5°C ~ +60°C
- Single packaging size: 240mm x 215mm x 95mm (LxWxH)
- Steel housing: powder painted heavy duty steel case protects retracted hose
- Spring: strong steel spring automatically rewinds hose after catch is released
- Mounting bracket: wall or ceiling, fixed or pivoting support
- Stopper: can adjust the length of hose remaining outside the reel when retracted
- Air inlet: brass coupling, 360° rotation
- High quality hose: polyurethane braid hose
- Capacity: hose length varies with model and required availability
- Connection: hose connects with male fitting or quick coupling

#### APPLICATIONS

- Works with suitable pneumatic tools
- Used for automatic maintenance and manufacturing facilities, etc...

## ORDER

### PLACING AN ORDER OR REQUEST

Specifying Standard Items:

Please specify the following:

1. Series Number
2. Hose Type
3. Hose I.D.
4. Hose Length
5. Hose Color

### *Example of a request*

12m of blue 12 x 8 hose with 1/4" brass swivel fitting



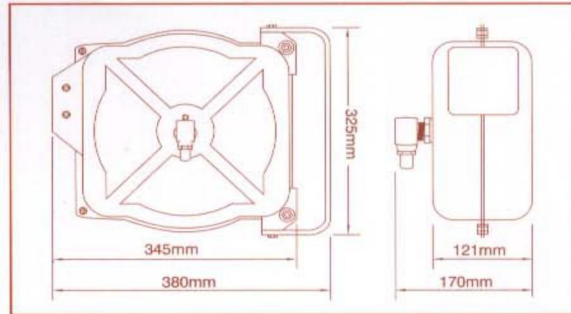
## PACKAGING

Each pcs. in a color box,

2 pcs in a master carton 42x37x35cm (LxWxH)



**HR04 SERIES**



MODEL NUMBER	Hose I.D. (mm / inch)	MAX. WORKING PRESSURE AT 23°C (75°F)	BURSTING PRESSURE AT 23°C (75°F)	HOSE LENGTH (inlet)	HOSE LENGTH (outlet)	HOSE TYPE	FITTING THREAD SIZE (inlet + outlet)	WEIGHT (N.W.)
HR04-UB6510	6.5 mm(1/4")	15 bar	60 bar	50 cm	10 m	Pu Braid	1/4 + 1/4	8 kgs
HR04-UB6515	6.5 mm(1/4")	15 bar	60 bar	50 cm	15 m	Pu Braid	1/4 + 1/4	8 kgs
HR04-UB8010	8.0 mm(5/16")	15 bar	60 bar	50 cm	10 m	Pu Braid	1/4 + 1/4	9 kgs
HR04-UB8012	8.0 mm(5/16")	15 bar	60 bar	50 cm	12 m	Pu Braid	1/4 + 1/4	9 kgs
HR04-UB8015	8.0 mm(5/16")	15 bar	60 bar	50 cm	15 m	Pu Braid	1/4 + 1/4	9 kgs
HR04-UB9510	9.5 mm(3/8")	15 bar	60 bar	50 cm	10 m	Pu Braid	3/8 + 3/8	9.5 kgs
HR04-UB9512	9.5 mm(3/8")	15 bar	60 bar	50 cm	12 m	Pu Braid	3/8 + 3/8	9.5 kgs
HR04-UB1010	10 mm	15 bar	60 bar	50 cm	10 m	Pu Braid	3/8 + 3/8	9.5 kgs

<b>CASE STANDARD COLOR</b>	<b>Y.</b> Yellow
<b>HOSE STANDARD COLOR</b>	<b>BU.</b> Blue
<b>HOSE SIZE (I.D.XO.D.)</b>	6.5 mm x 10 mm / 8.0 mm x 12.0 mm / 8.5 mm x 12.5 mm 9.5 mm x 14.5 mm / 10 mm x 15 mm
<b>PACKING DIMENSION (1PC)</b>	40 cm x 18 cm x 33 cm
<b>CONTAINER PACK</b>	1000 pcs/20ft
<b>FITTING THREAD</b>	BSPT / NPT

**SPECIFICATIONS:**

- Supplied with mounting bracket.

*\*Other sizes, colors, printing and package options may be available.*

#2

HR11 Series

# Air Hose Reel

Close Type - Plastic Case



**HR11 SERIES****Spring Driven Hose Reel >> Close Type >> Plastic Case****FEATURES**

- Casing made of strong ABS plastic
- Automatic hose reel, Ratchet or free-running operation
- Lightweight and corrosion resistant design
- Supplied with bracket and hanging hook
- Working temperature -5°C~+60°C
- Single packaging:345mm x 300mm x 145mm
- Measurement:6 sets in a master carton,610x355x450mm(LxWxH)

**APPLICATIONS**

- Works with suitable pneumatic tools
- Used for automotive maintenance,home DIY and/or manufacturing facilities

## ORDER

### PLACING AN ORDER OR REQUEST

Specifying Standard Items:

Please specify the following:

1. Series Number
2. Hose Type
3. Hose I.D.
4. Hose Length
5. Hose Color

### Example of a request

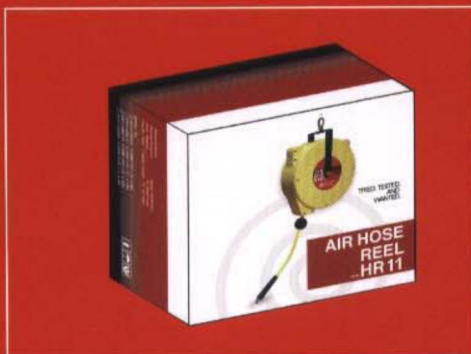
8m of blue 12 x 8 hose with 1/4" brass swivel fitting



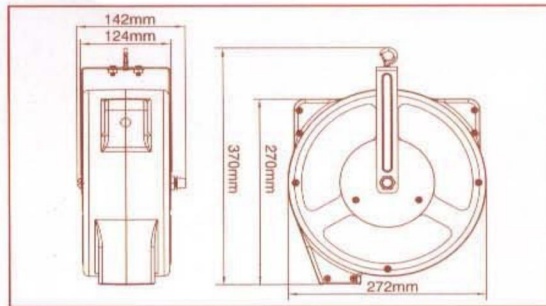
## PACKAGING

Each pcs. in a color box,

6 pcs in a master carton 42x37x35cm (LxWxH)



**HR11 SERIES**



MODEL NUMBER	Hose I.D. (mm / inch)	MAX. WORKING PRESSURE AT 23°C (75°F)	BURSTING PRESSURE AT 23°C (75°F)	HOSE LENGTH (inlet)	HOSE LENGTH (outlet)	HOSE TYPE	FITTING THREAD SIZE (inlet + outlet)	WEIGHT (N.W.)
HR11-UB6508	6.5 mm(1/4")	15 bar	60 bar	50 cm	8 m	Pu Braid	1/4 + 1/4	8 kgs
HR11-UB6510	6.5 mm(1/4")	15 bar	60 bar	50 cm	10 m	Pu Braid	1/4 + 1/4	8 kgs
HR11-UB6512	6.5 mm(1/4")	15 bar	60 bar	50 cm	12 m	Pu Braid	1/4 + 1/4	8 kgs
HR11-UB8008	8.0 mm(5/16")	15 bar	60 bar	50 cm	8 m	Pu Braid	1/4 + 1/4	8 kgs

<b>CASE STANDARD COLOR</b>	Y. Yellow
<b>HOSE STANDARD COLOR</b>	Y. Yellow
<b>HOSE SIZE (I.D.X.O.D.)</b>	6.5 mm x 10 mm / 8.0 mm x 12.0 mm
<b>PACKING DIMENSION (1PC)</b>	34.5cm x 30 cm x 14,5cm
<b>CONTAINER PACK</b>	1000 pcs/20ft
<b>FITTING THREAD</b>	BSPT / NPT

**SPECIFICATIONS:**

- Supplied with mounting bracket.

*\*Other sizes, colors, printing and package options may be available.*



**#3**

**HR12 Series**

# Air Hose Reel

Close Type - Plastic Case



**HR12 SERIES****Spring Driven Hose Reel >> Close Type >> Plastic Case****FEATURES**

- Casing made of strong ABS plastic
- Automatic hose reel, Ratchet or free-running operation
- Lightweight and corrosion resistant design
- Supplied with mounting bracket
- Working temperature -5°C ~+60°C
- Single packaging: 345mm x 300mm x 145mm
- Measurement: 6 sets in a master carton, 610x355x450mm(LxWxH)

**APPLICATIONS**

- Works with suitable pneumatic tools
- Used for automotive maintenance, home DIY and/or manufacturing facilities

## ORDER

### PLACING AN ORDER OR REQUEST

Specifying Standard Items:

Please specify the following:

1. Series Number
2. Hose Type
3. Hose I.D.
4. Hose Length
5. Hose Color

### *Example of a request*

8 m of blue 12 x 8 hose with 1/4" brass swivel fitting



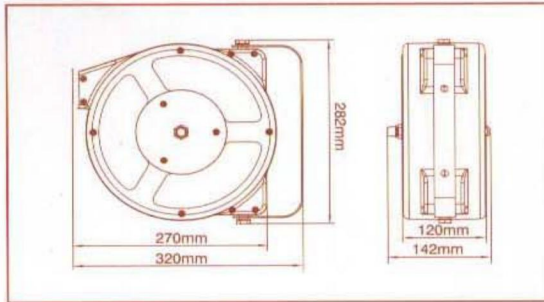
## PACKAGING

Each pcs. in a color box,

6 pcs in a master carton 42x37x35cm (LxWxH)



**HR12 SERIES**



MODEL NUMBER	Hose I.D. (mm / inch)	MAX. WORKING PRESSURE AT 23°C (75°F)	BURSTING PRESSURE AT 23°C (75°F)	HOSE LENGTH (inlet)	HOSE LENGTH (outlet)	HOSE TYPE	FITTING THREAD SIZE (inlet + outlet)	WEIGHT (N.W.)
HR12-UB6508	6.5 mm(1/4")	15 bar	60 bar	50 cm	8 m	Pu Braid	1/4 + 1/4	8 kgs
HR12-UB6510	6.5 mm(1/4")	15 bar	60 bar	50 cm	10 m	Pu Braid	1/4 + 1/4	8 kgs
HR12-UB6512	6.5 mm(1/4")	15 bar	60 bar	50 cm	12 m	Pu Braid	1/4 + 1/4	8 kgs
HR12-UB8008	8.0 mm(5/16")	15 bar	60 bar	50 cm	8 m	Pu Braid	1/4 + 1/4	8 kgs

<b>CASE STANDARD COLOR</b>	Y. Yellow
<b>HOSE STANDARD COLOR</b>	Y. Yellow
<b>HOSE SIZE (I.D.XO.D.)</b>	6.5 mm x 10 mm / 8.0 mm x 12.0 mm
<b>PACKING DIMENSION (1PC)</b>	34.5cm x 30 cm x 14.5cm
<b>CONTAINER PACK</b>	1000 pcs/20ft
<b>FITTING THREAD</b>	BSPT / NPT

**SPECIFICATIONS:**

- Supplied with mounting bracket.

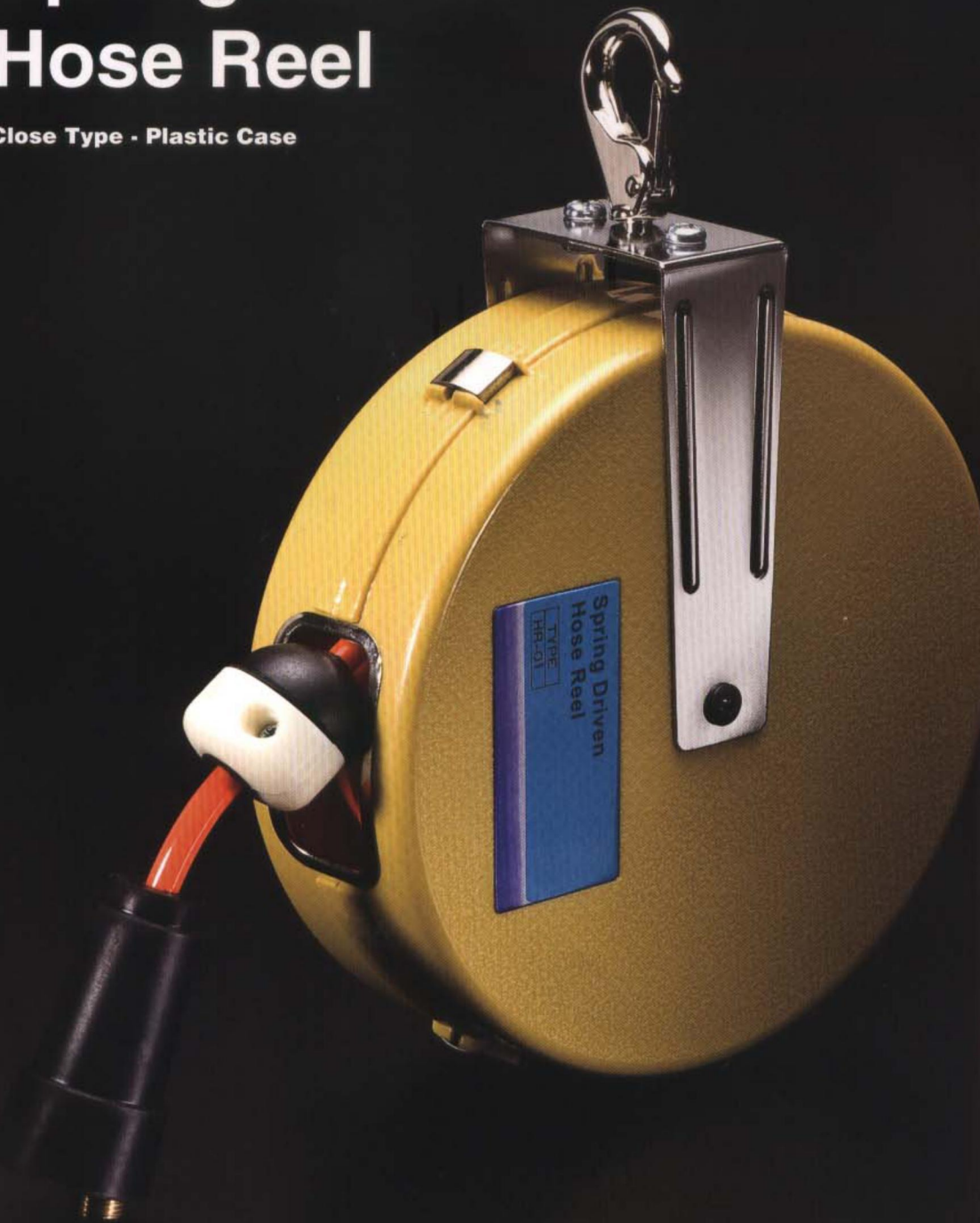
*\*Other sizes, colors, printing and package options may be available.*

# #4

## HR01 Series

# Spring Driven Hose Reel

Close Type - Plastic Case



## HR01 SERIES

### Spring Driven Hose Reel >> Close Type >> Plastic Case

#### FEATURES

- Casing made of impact resistant ABS plastic
- Spring operated rewinding mechanism
- Close case type
- Automatic hose reel for compressor
- Working temperature: -5°C ~ +60°C
- Single packaging size: 240mm x 215mm x 95mm (LxWxH)
- Weight: 1.4kg
- Measurement: 0.18 cuft/set, 10 sets in a master carton 48.5x25x45cm (LxWxH)

#### APPLICATIONS

- Light and convenient, the product is suitable for any pneumatic tools
- Easy to use for home DIY and/or manufacturing
- Used for construction work areas

*Use the hook to hang or hook to the wall or the ceiling.*



## ORDER

### PLACING AN ORDER OR REQUEST

Specifying Standard Items:

Please specify the following:

1. Series Number
2. Hose Type
3. Hose I.D.
4. Hose Length
5. Hose Color

### *Example of a request*

7.5m of blue 8 x 5 hose with 1/4" brass swivel fitting



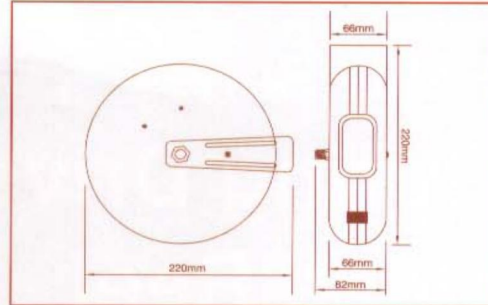
## PACKAGING

Each set comes in a color box.

10 sets in a master carton.



**HR01 SERIES**



MODEL NUMBER	Hose I.D. (mm)	MAX. WORKING PRESSURE AT 23°C (75°F)	BURSTING PRESSURE AT 23°C (75°F)	HOSE LENGTH (inlet)	HOSE LENGTH (outlet)	HOSE TYPE	FITTING THREAD SIZE (inlet + outlet)	WEIGHT (N.W.)
HR01-U5075	5.0 mm	8 bar	24 bar	—	7.5m	Pu	1/4+1/4	1.4 kgs
HR01-UB5075	5.0 mm	15bar	45 bar	—	7.5m	Pu Braid	1/4+1/4	1.4 kgs
HR01-U6560	6.5 mm	8 bar	24 bar	—	6m	Pu	1/4+1/4	1.4 kgs
HR01-UB6560	6.5 mm	15bar	45 bar	—	6m	Pu Braid	1/4+1/4	1.4 kgs

<b>CASE STANDARD COLOR</b>	Y. Yellow
<b>HOSE STANDARD COLOR</b>	OR. Orange
<b>HOSE SIZE (I.D.XO.D.)</b>	5.0 mm x 8.0 mm / 6.5 mm x 10 mm
<b>PACKING DIMENSION (1PC)</b>	24 cm x 21.5 cm x 9.5 cm
<b>CONTAINER PACK</b>	5000 pcs/20ft
<b>FITTING THREAD</b>	BSPT / NPT

**SPECIFICATIONS:**

- Supplied with sling hook, mounting frame and hardware.

*\*Other sizes, colors, printing and package options may be available.*

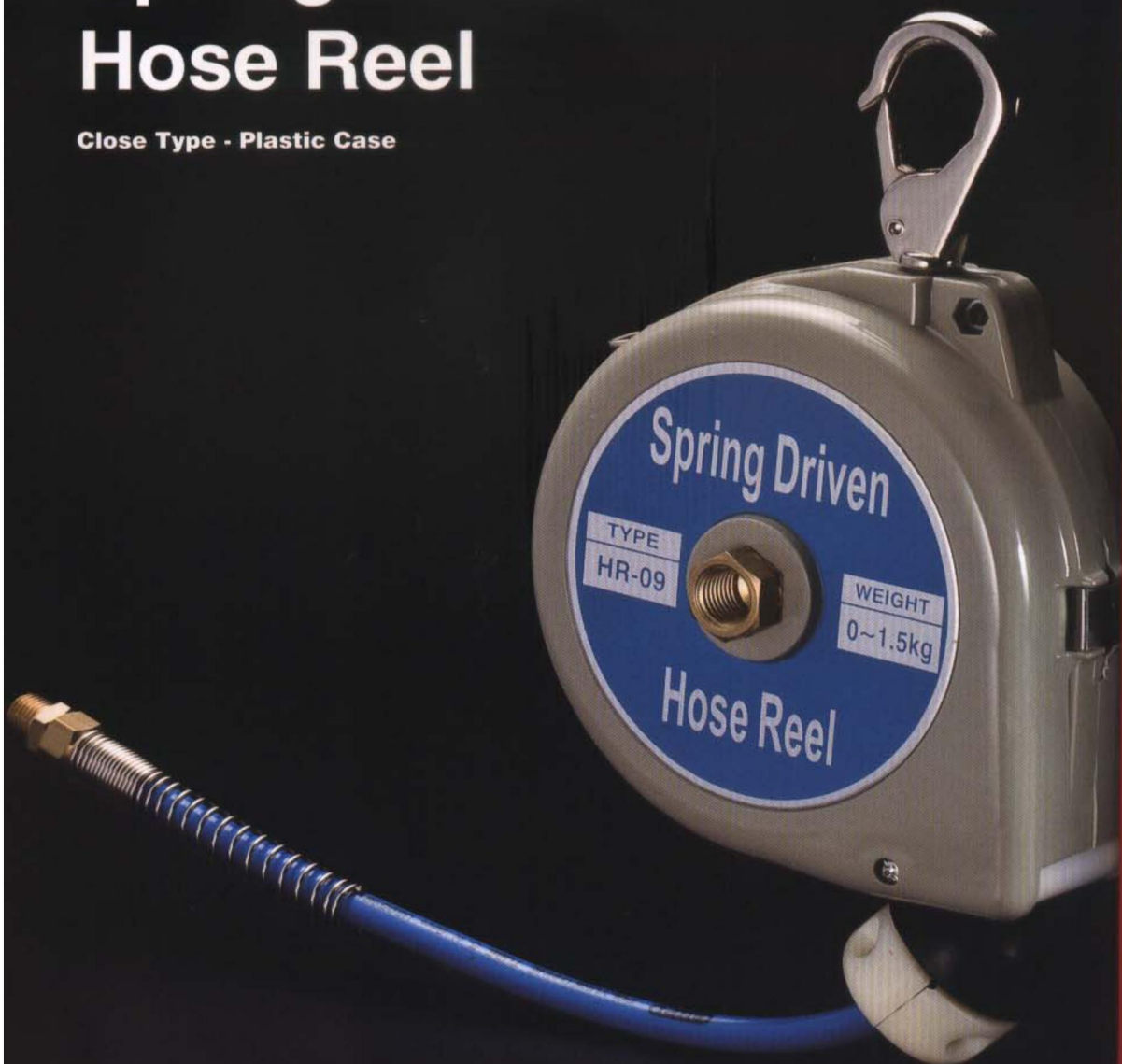


**#5**

**HR09 Series**

# Spring Driven Hose Reel

Close Type - Plastic Case

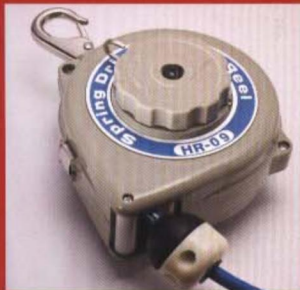


**HR09 SERIES****Spring Driven Hose Reel >> Close Type >> Plastic Case****FEATURES**

- Closed type
- Automatic hose reel for compressor
- Casing made of impact resistant ABS plastic
- Working temperature: -5°C ~ +60°C
- Single packaging size: 210mm x 160mm x 110mm (LxWxH)

**APPLICATIONS**

- Works with suitable pneumatic tools
- Used for automatic assembly and manufacturing facility with transporting bench



## ORDER

### PLACING AN ORDER OR REQUEST

Specifying Standard Items:

Please specify the following:

1. Series Number
2. Hose Type
3. Hose I.D.
4. Hose Length
5. Hose Color

### *Example of a request*

2m of blue 8 x 5 hose with 1/4" brass swivel fitting

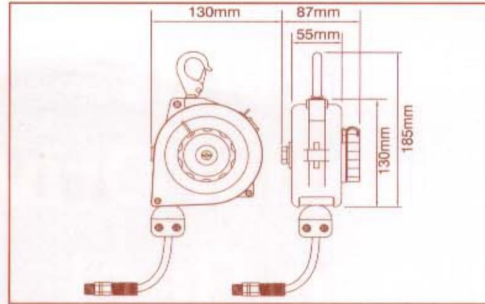


## PACKAGING

Each set comes in a color box



**HR09 SERIES**



MODEL NUMBER	Hose I.D. (mm)	MAX. WORKING PRESSURE AT 23°C (75°F)	BURSTING PRESSURE AT 23°C (75°F)	LEAD HOSE LENGTH (inlet)	HOSE LENGTH (outlet)	HOSE TYPE	FITTING THREAD SIZE (inlet + outlet)	WEIGHT (N.W.)
HR09-U5012	5.0 mm	8 bar	24 bar	—	1.2 m	Pu	1/4 + 1/4	1 kgs
HR09-U5020	5.0 mm	8 bar	24 bar	—	2.0 m	Pu	1/4 + 1/4	1 kgs
HR09-U5025	5.0 mm	8 bar	24 bar	—	2.5 m	Pu	1/4 + 1/4	1 kgs

<b>CASE STANDARD COLOR</b>	<b>G.</b> Grey
<b>HOSE STANDARD COLOR</b>	<b>BU.</b> Blue
<b>HOSE SIZE (I.D.XO.D.)</b>	5.0 mm x 8.0 mm
<b>PACKING DIMENSION (1PC)</b>	21 cm x 16 cm x 11 cm
<b>CONTAINER PACK</b>	6670 pcs/20ft
<b>FITTING THREAD</b>	BSPT / NPT

**SPECIFICATIONS:**

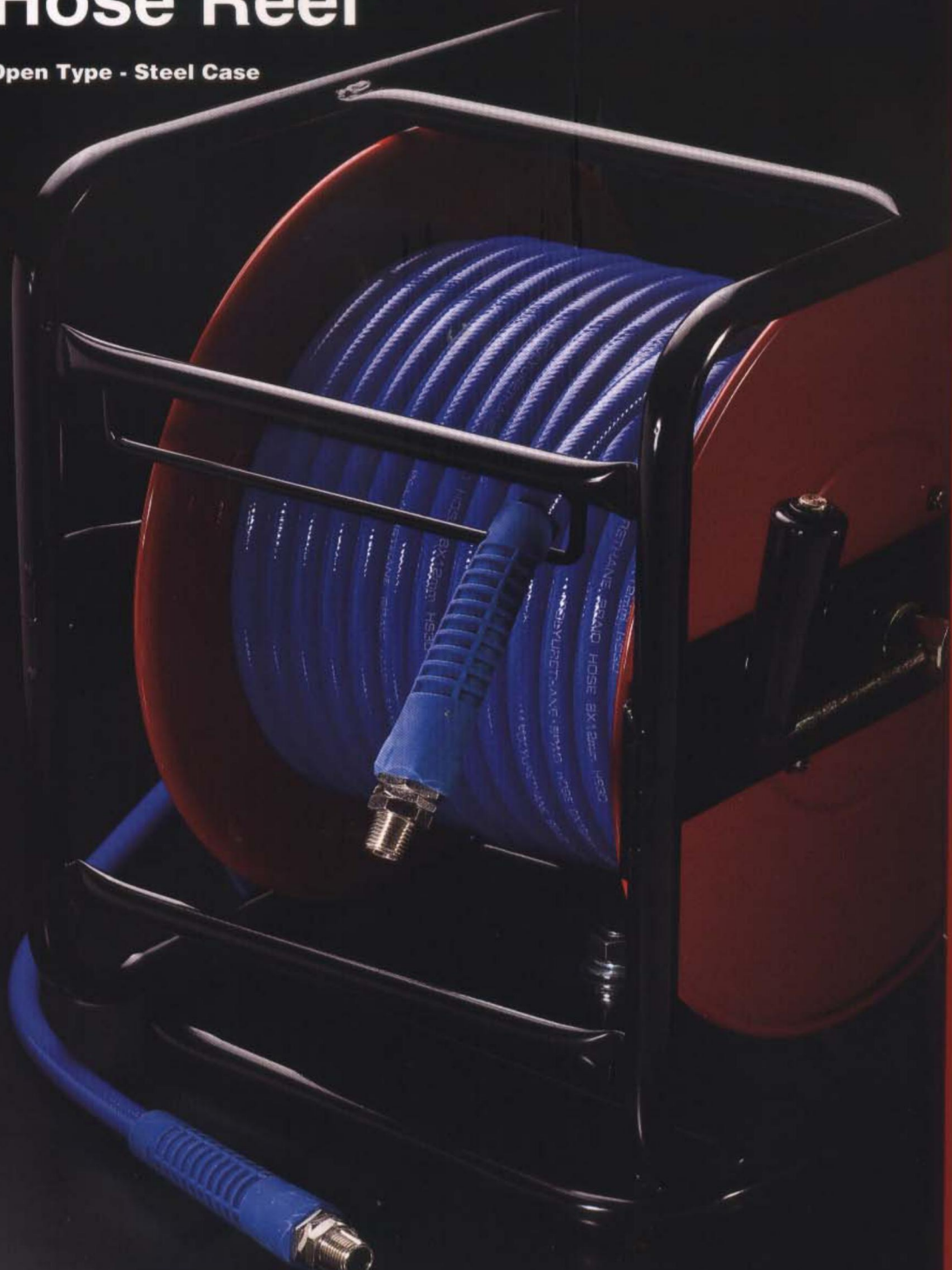
- Maximum weight supported: 1.5 (kg) / 3.3 (lb)
- Working pressure: 8 (kg/cm<sup>2</sup>) / 112 (psi)
- Rolled length in the reel: 700 (mm)
- Weight: 850 g/set

*\*Other sizes, colors, printing and package options may be available.*

# #6

## HR02 Series Manual Driven Hose Reel

Open Type - Steel Case



## HR02 SERIES

### Manual Driven Hose Reel >> Open Type

#### FEATURES

- Open Type
- Handy Crank Hose Reel
- Heavy Duty Reinforced Steel Construction with Powder Paint Coating
- Working Temperature: -5°C ~ +60°C
- 360° Rotary Base

#### APPLICATIONS

- Works with suitable pneumatic tools
- Used for construction work areas



U.S.- Patent No.: D586,203S

E.U.- Patent No.: 000826110-0001

CANADA- Patent No.: 123380

TAIWAN- Patent No.: 178611

## ORDER

### PLACING AN ORDER OR REQUEST

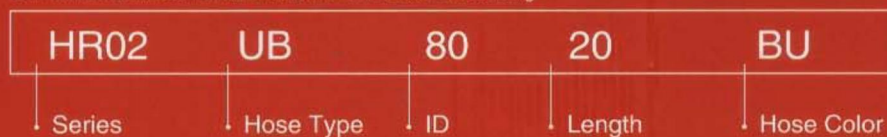
Specifying Standard Items:

Please specify the following:

1. Series Number
2. Hose Type
3. Hose I.D.
4. Hose Length
5. Hose Color

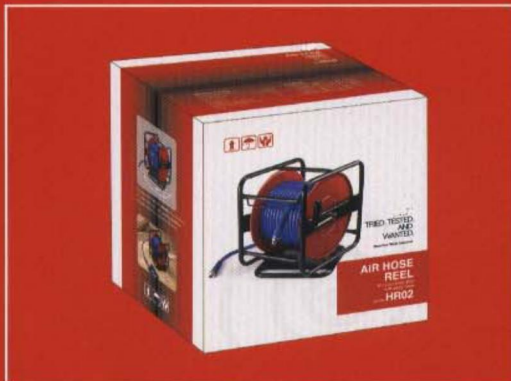
### *Example of a request*

20m of blue 8mm I.D. Pu braid hose with 1/4" brass swivel fitting

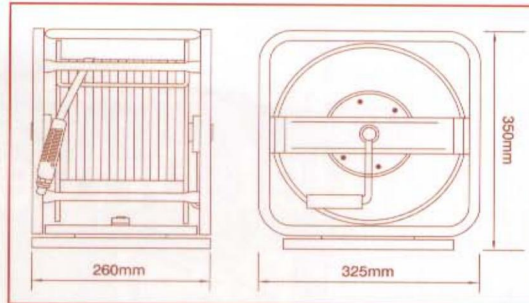
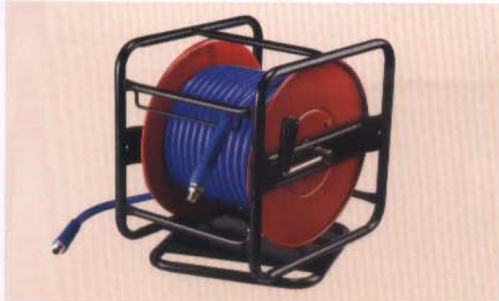


## PACKAGING

Each set in a color box.



**HR02 SERIES**



MODEL NUMBER	Hose I.D. (mm / inch)	MAX. WORKING PRESSURE AT 23°C (75°F) (bar / psi)	BURSTING PRESSURE AT 23°C (75°F) (bar / psi)	LEAD HOSE LENGTH (inlet)	HOSE LENGTH (outlet)	HOSE TYPE	FITTING THREAD SIZE (inlet + outlet)	WEIGHT (N.W.)
HR02-UB6520	6.5 mm(1/4")	15 / 200	60 / 800	110 cm	20 m	Pu Braid	1/4 + 1/4	6.7 kgs
HR02-UB6530	6.5 mm(1/4")	15 / 200	60 / 800	110 cm	30 m	Pu Braid	1/4 + 1/4	7.5 kgs
HR02-UB6540	6.5 mm(1/4")	15 / 200	60 / 800	110 cm	40 m	Pu Braid	1/4 + 1/4	8.3 kgs
HR02-UB6550	6.5 mm(1/4")	15 / 200	60 / 800	110 cm	50 m	Pu Braid	1/4 + 1/4	9 kgs
HR02-UB8020	8.0 mm(5/16")	15 / 200	60 / 800	110 cm	20 m	Pu Braid	1/4 + 1/4	7 kgs
HR02-UB8030	8.0 mm(5/16")	15 / 200	60 / 800	110 cm	30 m	Pu Braid	1/4 + 1/4	8 kgs
HR02-UB8040	8.0 mm(5/16")	15 / 200	60 / 800	110 cm	40 m	Pu Braid	1/4 + 1/4	9 kgs
HR02-UB8520	8.5 mm	15 / 200	60 / 800	110 cm	20 m	Pu Braid	1/4 + 1/4	7 kgs
HR02-UB8530	8.5 mm	15 / 200	60 / 800	110 cm	30 m	Pu Braid	1/4 + 1/4	8 kgs
HR02-UB8540	8.5 mm	15 / 200	60 / 800	110 cm	40 m	Pu Braid	1/4 + 1/4	9 kgs
HR02-UB9520	9.5 mm(3/8")	15 / 200	60 / 800	110 cm	20 m	Pu Braid	3/8 + 3/8	8 kgs
HR02-UB9525	9.5 mm(3/8")	15 / 200	60 / 800	110 cm	25 m	Pu Braid	3/8 + 3/8	8.5 kgs
HR02-UB9530	9.5 mm(3/8")	15 / 200	60 / 800	110 cm	30 m	Pu Braid	3/8 + 3/8	9 kgs
HR02-UB1020	10 mm	15 / 200	60 / 800	110 cm	20 m	Pu Braid	3/8 + 3/8	8 kgs
HR02-UB1030	10 mm	15 / 200	60 / 800	110 cm	30 m	Pu Braid	3/8 + 3/8	9 kgs
HR02-UB1130	11 mm	15 / 200	60 / 800	110 cm	30 m	Pu Braid	3/8 + 3/8	10 kgs

<b>FRAME STANDARD COLOR</b>	<b>BK.</b> Black
<b>ROUNDED PLATE STANDARD COLOR</b>	<b>R.</b> Red
<b>HOSE STANDARD COLOR</b>	<b>BU.</b> Blue
<b>HOSE SIZE (I.D.XO.D.)</b>	6.5 mm x 10 mm / 8.0 mm x 12.0 mm / 8.5 mm x 12.5 mm 9.5 mm x 14.5 mm / 10 mm x 15 mm / 11 mm x 16 mm
<b>PACKING DIMENSION (1PC)</b>	34 cm x 28 cm x 37 cm
<b>CONTAINER PACK</b>	800 pcs/20ft
<b>FITTING THREAD</b>	BSPT / NPT

\*Other sizes, colors, printing and package options may be available.



# #7

## HR02DXS Series Manual Driven Hose Reel

Open Type - Steel Case



U.S.- Patent No.: D586,203S

E.U.- Patent No.: 000826110-0001

CANADA- Patent No.: 123380

## HR02DXS SERIES

### Manual Driven Hose Reel >> Open Type

#### FEATURES

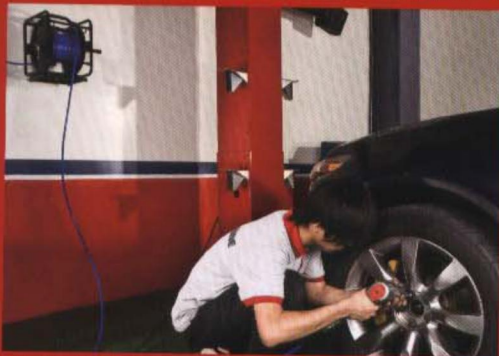
- Open Type.
- Handy Crank Hose Reel
- Heavy Duty Reinforced Steel Construction with Powder Paint Coating
- Working Temperature: -5°C ~ +60°C
- 360° Rotary Base
- 4pcs rubber stoppers to hold the reel in place when in use
- Includes mounting bracket and hardware for wall mounting
- Easy to mount and dismount from the wall for outdoor use
- Easily stored away
- It can be fixed on the wall and stored indoors
- Portable for outdoor use

#### APPLICATIONS

- Works with suitable pneumatic tools
- Used for automatic maintenance and manufacturing facilities, etc...

#### *Economical efficiency:*

*Can be fixed and stored indoors. Also portable for outdoor use.*



indoor - with a hook to the wall



outdoor

## ORDER

### PLACING AN ORDER OR REQUEST

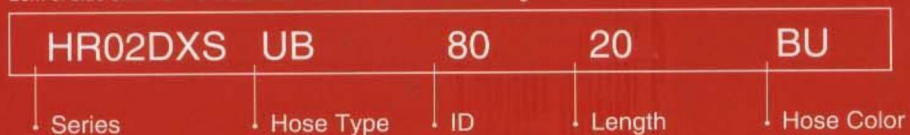
Specifying Standard Items:

Please specify the following:

1. Series Number
2. Hose Type
3. Hose I.D.
4. Hose Length
5. Hose Color

### *Example of a request*

20m of blue 8mm I.D. Pu braid hose with 1/4" brass swivel fitting

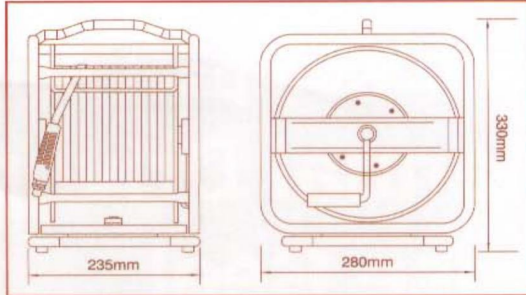
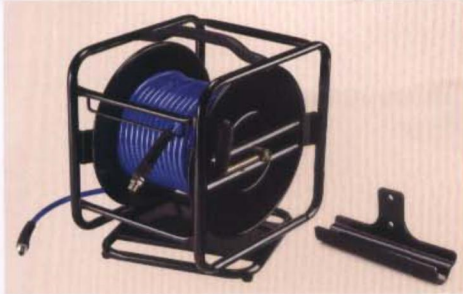


## PACKAGING

Each set in a color box.



**HR02DXS SERIES**



MODEL NUMBER	Hose I.D. (mm / inch)	MAX. WORKING PRESSURE AT 23°C (75°F) (bar / psi)	BURSTING PRESSURE AT 23°C (75°F) (bar / psi)	LEAD HOSE LENGTH (inlet)	HOSE LENGTH (outlet)	HOSE TYPE	FITTING THREAD SIZE (inlet + outlet)	WEIGHT (N.W.)
HR02DXS-UB6520	6.5 mm(1/4")	15 / 200	60 / 800	110 cm	20 m	Pu Braid	1/4 + 1/4	7.7 kgs
HR02DXS-UB6530	6.5 mm(1/4")	15 / 200	60 / 800	110 cm	30 m	Pu Braid	1/4 + 1/4	8.5 kgs
HR02DXS-UB6540	6.5 mm(1/4")	15 / 200	60 / 800	110 cm	40 m	Pu Braid	1/4 + 1/4	9.3 kgs
HR02DXS-UB8020	8.0 mm(5/16")	15 / 200	60 / 800	110 cm	20 m	Pu Braid	1/4 + 1/4	8 kgs
HR02DXS-UB8030	8.0 mm(5/16")	15 / 200	60 / 800	110 cm	30 m	Pu Braid	1/4 + 1/4	9 kgs
HR02DXS-UB8040	8.0 mm(5/16")	15 / 200	60 / 800	110 cm	40 m	Pu Braid	1/4 + 1/4	10 kgs
HR02DXS-UB8520	8.5 mm	15 / 200	60 / 800	110 cm	20 m	Pu Braid	1/4 + 1/4	8 kgs
HR02DXS-UB8530	8.5 mm	15 / 200	60 / 800	110 cm	30 m	Pu Braid	1/4 + 1/4	9 kgs
HR02DXS-UB9520	9.5 mm(3/8")	15 / 200	60 / 800	110 cm	20 m	Pu Braid	3/8 + 3/8	9 kgs
HR02DXS-UB9525	9.5 mm(3/8")	15 / 200	60 / 800	110 cm	25 m	Pu Braid	3/8 + 3/8	9.5 kgs
HR02DXS-UB9530	9.5 mm(3/8")	15 / 200	60 / 800	110 cm	30 m	Pu Braid	3/8 + 3/8	10 kgs
HR02DXS-UB1020	10 mm	15 / 200	60 / 800	110 cm	20 m	Pu Braid	3/8 + 3/8	9 kgs

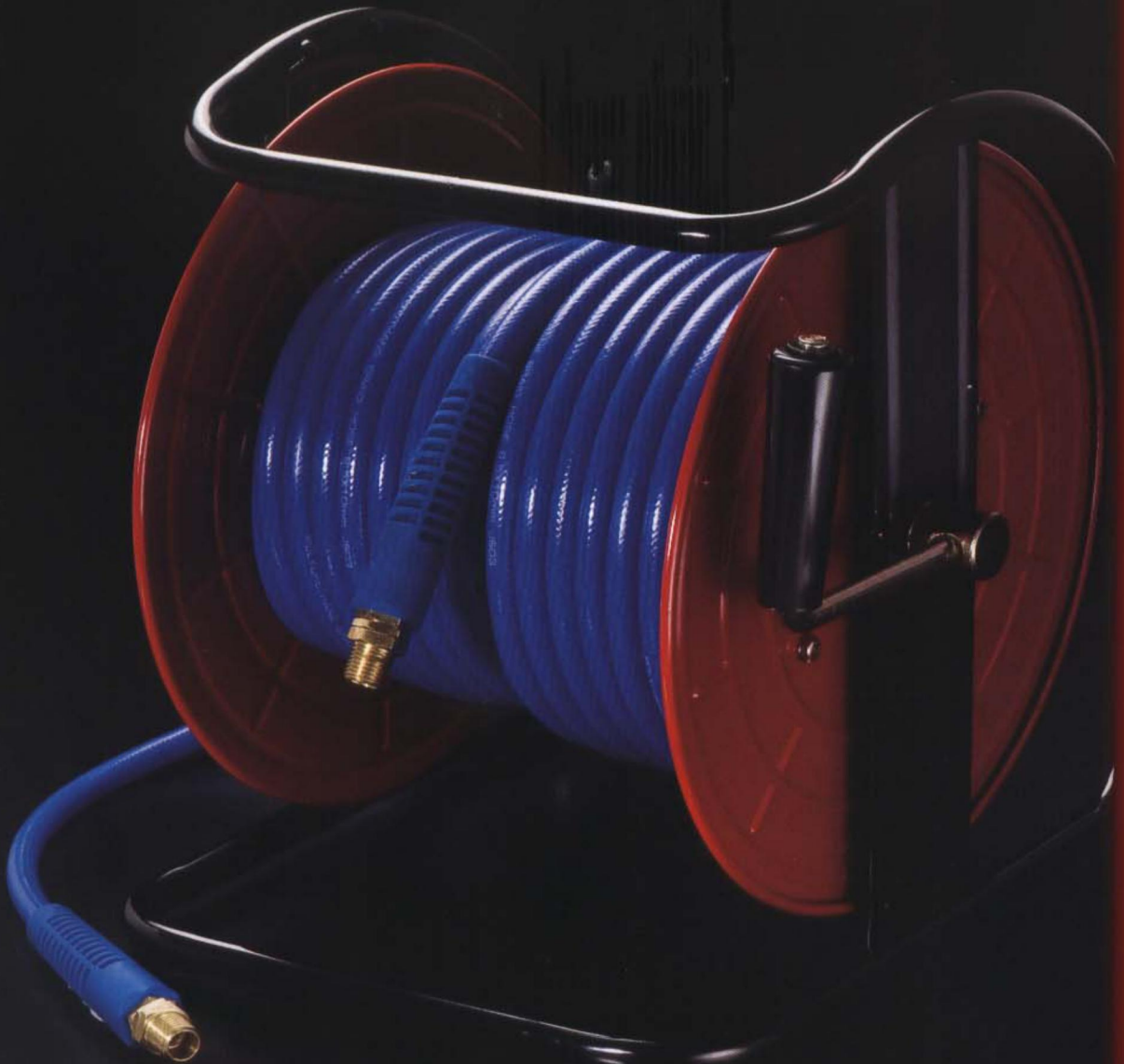
<b>FRAME STANDARD COLOR</b>	<b>BK.</b> Black
<b>ROUNDED PLATE STANDARD COLOR</b>	<b>BK.</b> Black
<b>HOSE STANDARD COLOR</b>	<b>BU.</b> Blue
<b>HOSE SIZE (I.D.XO.D.)</b>	6.5 mm x 10 mm / 8.0 mm x 12.0 mm / 8.5 mm x 12.5 mm 9.5 mm x 14.5 mm / 10 mm x 15mm / 11 mm x 16 mm
<b>PACKING DIMENSION (1PC)</b>	34 cm x 27.6 cm x 39.5 cm
<b>CONTAINER PACK</b>	1000 pcs/20ft
<b>FITTING THREAD</b>	BSPT / NPT

\*Other sizes, colors, printing and package options may be available.

# #8

## HR07 Compact Series Manual Driven Hose Reel

Open Type - Steel Case



U.S.- Patent No.: D586,202S

E.U.- Patent No.: 000826144-0001

CANADA- Patent No.: 123379

## HR07 COMPACT SERIES

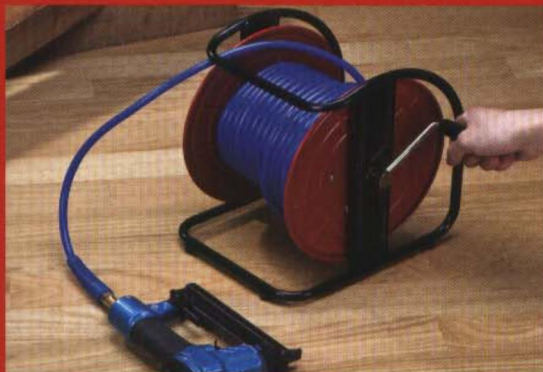
### Manual Driven Hose Reel >> Open Type

#### FEATURES

- Open type
- Handy crank hose reel
- Heavy duty reinforced steel construction with powder paint coating
- Supplied with foldable handle to rewind the hose after use
- 4pcs rubber stoppers to hold the reel in place when in use
- Small in size
- Reasonable price

#### APPLICATIONS

- Works with suitable pneumatic tools
- Used for construction work areas, automatic maintenance and manufacturing facilities



## ORDER

### PLACING AN ORDER OR REQUEST

Specifying Standard Items:

Please specify the following:

1. Series Number
2. Hose Type
3. Hose I.D.
4. Hose Length
5. Hose Color

### Example of a request

20m of blue 6.5mm I.D. Pu braid hose with 1/4" brass swivel fitting

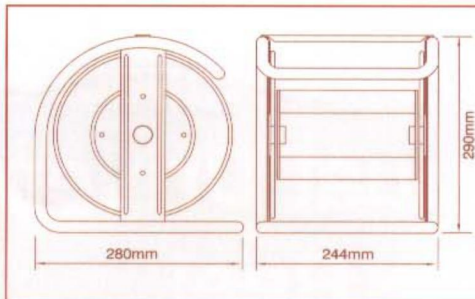
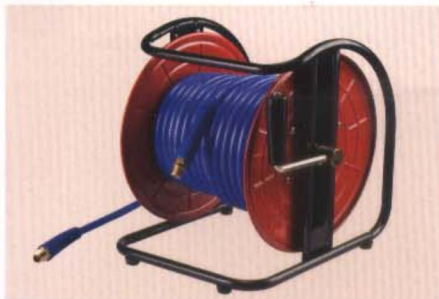


## PACKAGING

Each set comes in a plain box



**HR07 SERIES**



MODEL NUMBER	Hose I.D. (mm / inch)	MAX. WORKING PRESSURE AT 23°C (75°F) (bar / psi)	BURSTING PRESSURE AT 23°C (75°F) (bar / psi)	LEAD HOSE LENGTH (inlet)	HOSE LENGTH (outlet)	HOSE TYPE	FITTING THREAD SIZE (inlet + outlet)	WEIGHT (N.W.)
HR07-UB6520	6.5 mm(1/4")	15/200	60/800	110 cm	20 m	Pu Braid	1/4 + 1/4	5 kgs
HR07-UB6525	6.5 mm(1/4")	15/200	60/800	110 cm	25 m	Pu Braid	1/4 + 1/4	5 kgs
HR07-UB6530	6.5 mm(1/4")	15/200	60/800	110 cm	30 m	Pu Braid	1/4 + 1/4	5 kgs
HR07-UB8010	8.0 mm(5/16")	15/200	60/800	110 cm	10 m	Pu Braid	1/4 + 1/4	5.3 kgs
HR07-UB8015	8.0 mm(5/16")	15/200	60/800	110 cm	15 m	Pu Braid	1/4 + 1/4	5.3 kgs
HR07-UB8020	8.0 mm(5/16")	15/200	60/800	110 cm	20 m	Pu Braid	1/4 + 1/4	5.3 kgs
HR07-UB9510	9.5 mm(3/8")	15/200	60/800	110 cm	10 m	Pu Braid	3/8 + 3/8	5.5 kgs
HR07-UB9515	9.5 mm(3/8")	15/200	60/800	110 cm	15 m	Pu Braid	3/8 + 3/8	5.5 kgs
HR07-UB9520	9.5 mm(3/8")	15/200	60/800	110 cm	20 m	Pu Braid	3/8 + 3/8	5.5 kgs

<b>FRAME STANDARD COLOR</b>	<b>BK.</b> Black
<b>ROUNDED PLATE STANDARD COLOR</b>	<b>R.</b> Red
<b>HOSE STANDARD COLOR</b>	<b>BU.</b> Blue
<b>HOSE SIZE (I.D.XO.D.)</b>	6.5 mm x 10 mm / 8.0 mm x 12.0 mm / 9.5 mm x 14.5 mm
<b>PACKING DIMENSION (1PC)</b>	30.3 cm x 28 cm x 30.3 cm
<b>CONTAINER PACK</b>	1000 pcs/20ft
<b>FITTING THREAD</b>	BSPT / NPT

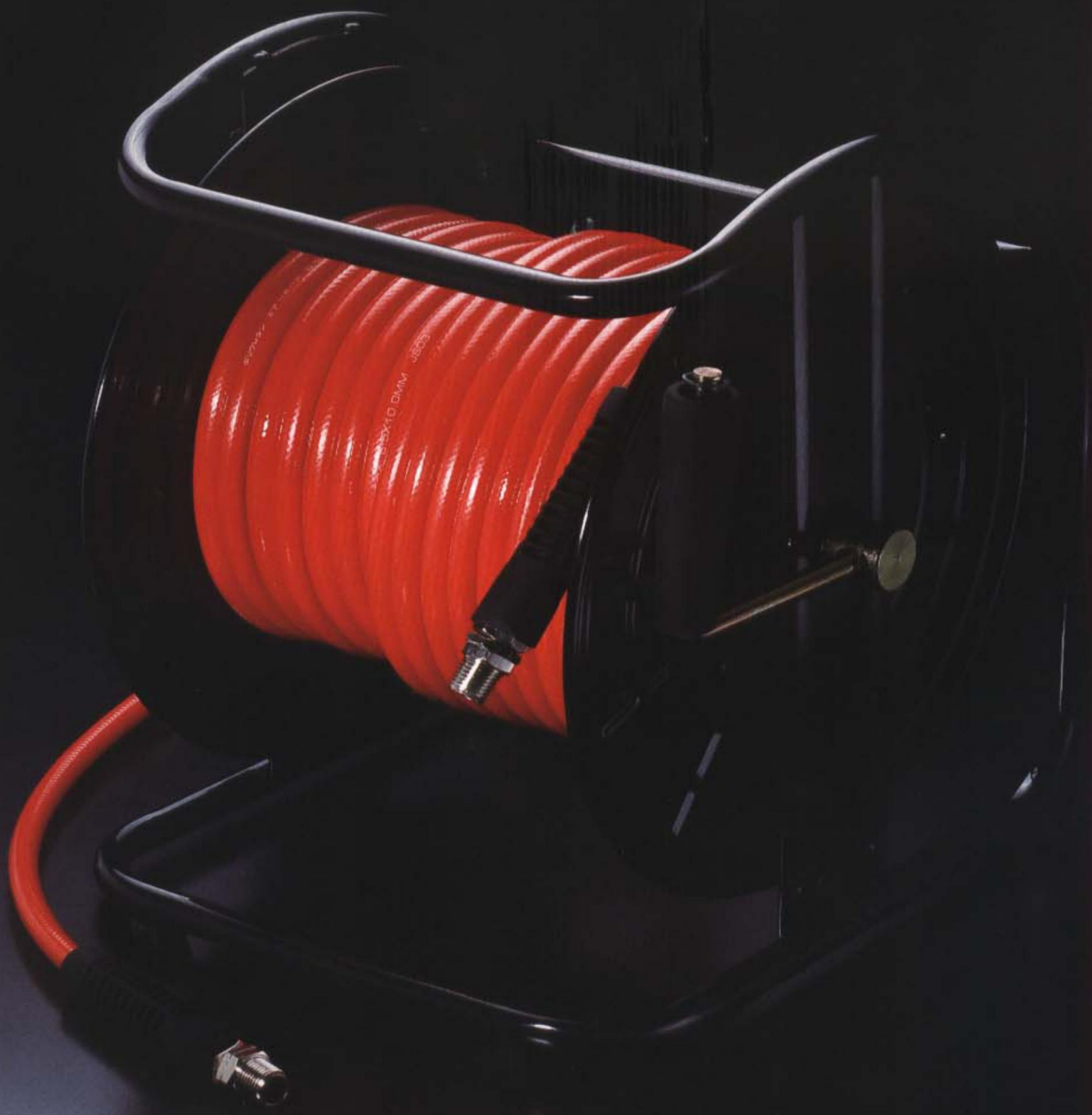
\*Other sizes, colors, printing and package options may be available.



# #9

## HR07DX Compact Series Manual Driven Hose Reel

Open Type - Steel Case



U.S.- Patent No.: D586,202S

E.U.- Patent No.: 000826144-0001

## HR07DX COMPACT SERIES

### Manual Driven Hose Reel >> Open Type

#### FEATURES

- Open type
- Handy crank hose reel
- Heavy duty reinforced steel construction with powder paint coating
- Supplied with foldable handle to rewind the hose after use
- 4pcs rubber stoppers to hold the reel in place when in use
- Includes Mounting Bracket and Hardware for Wall Mounting
- Easy to mount and dismount from the wall for outdoor use
- Easily stored away
- Can be fixed on the wall and stored indoors. Also portable for outdoor use
- Small in size
- Reasonable price

#### APPLICATIONS

- Works with suitable pneumatic tools
- Used for construction work areas, automatic maintenance and manufacturing facilities

#### *Economical efficiency:*

*Can be fixed and stored indoors. Also portable for outdoor use.*



indoor - with a hook to the wall



outdoor

## ORDER

### PLACING AN ORDER OR REQUEST

Specifying Standard Items:

Please specify the following:

1. Series Number
2. Hose Type
3. Hose I.D.
4. Hose Length
5. Hose Color

### *Example of a request*

20m of red 8mm I.D. Pu braid hose with 1/4" brass swivel fitting

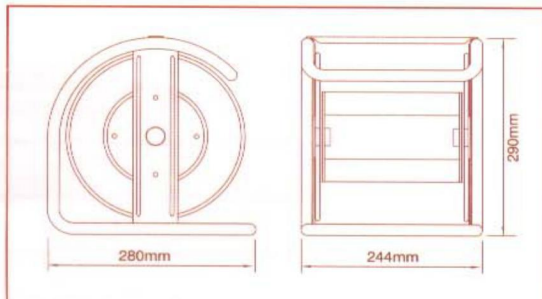


## PACKAGING

Each set comes in a plain box



**HR07DX SERIES**



MODEL NUMBER	Hose I.D. (mm / inch)	MAX. WORKING PRESSURE AT 23°C (75°F) (bar / psi)	BURSTING PRESSURE AT 23°C (75°F) (bar / psi)	LEAD HOSE LENGTH (inlet)	HOSE LENGTH (outlet)	HOSE TYPE	FITTING THREAD SIZE (inlet + outlet)	WEIGHT (N.W.)
HR07DX-UB6520	6.5 mm(1/4")	15/200	60/800	110 cm	20 m	Pu Braid	1/4 + 1/4	6 kgs
HR07DX-UB6525	6.5 mm(1/4")	15/200	60/800	110 cm	25 m	Pu Braid	1/4 + 1/4	6 kgs
HR07DX-UB6530	6.5 mm(1/4")	15/200	60/800	110 cm	30 m	Pu Braid	1/4 + 1/4	6 kgs
HR07DX-UB8010	8.0 mm(5/16")	15/200	60/800	110 cm	10 m	Pu Braid	1/4 + 1/4	6.3 kgs
HR07DX-UB8015	8.0 mm(5/16")	15/200	60/800	110 cm	15 m	Pu Braid	1/4 + 1/4	6.3 kgs
HR07DX-UB8020	8.0 mm(5/16")	15/200	60/800	110 cm	20 m	Pu Braid	1/4 + 1/4	6.3 kgs
HR07DX-UB9510	9.5 mm(3/8")	15/200	60/800	110 cm	10 m	Pu Braid	3/8 + 3/8	6.5 kgs
HR07DX-UB9515	9.5 mm(3/8")	15/200	60/800	110 cm	15 m	Pu Braid	3/8 + 3/8	6.5 kgs
HR07DX-UB9520	9.5 mm(3/8")	15/200	60/800	110 cm	20 m	Pu Braid	3/8 + 3/8	6.5 kgs

<b>FRAME STANDARD COLOR</b>	<b>BK.</b> Black
<b>ROUNDED PLATE STANDARD COLOR</b>	<b>BK.</b> Black
<b>HOSE STANDARD COLOR</b>	<b>R.</b> Red
<b>HOSE SIZE (I.D.X.O.D.)</b>	6.5 mm x 10 mm / 8.0 mm x 12.0 mm / 9.5 mm x 14.5 mm
<b>PACKING DIMENSION (1PC)</b>	30.3 cm x 28 cm x 30.3 cm
<b>CONTAINER PACK</b>	1000 pcs/20ft
<b>FITTING THREAD</b>	BSPT / NPT

\*Other sizes, colors, printing and package options may be available.